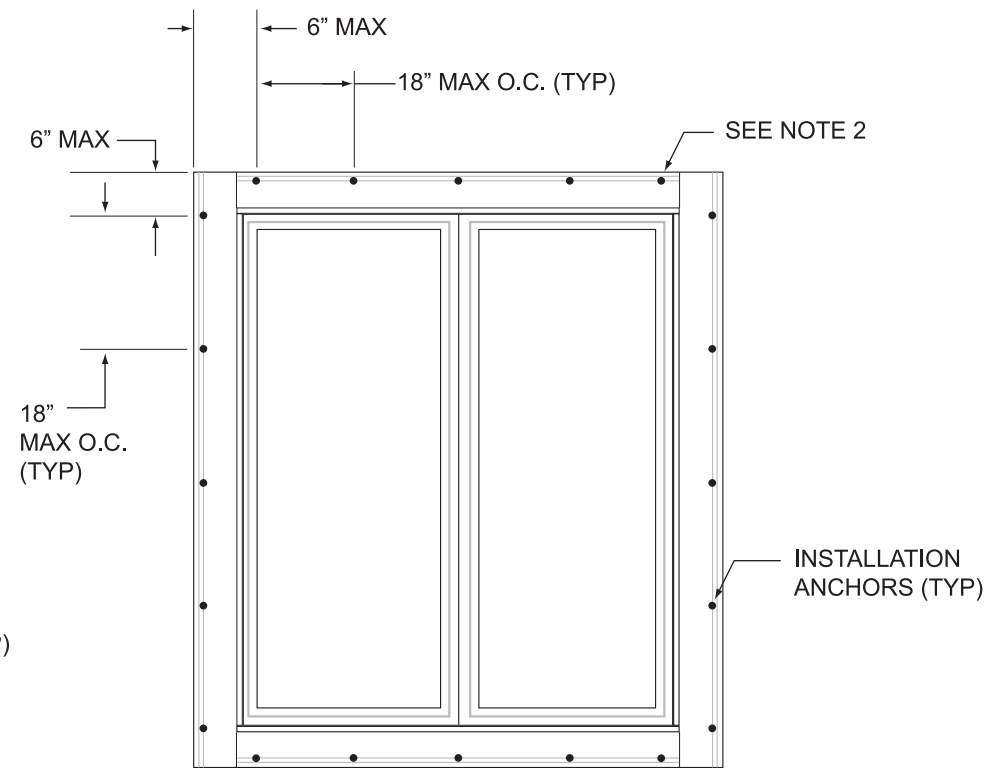
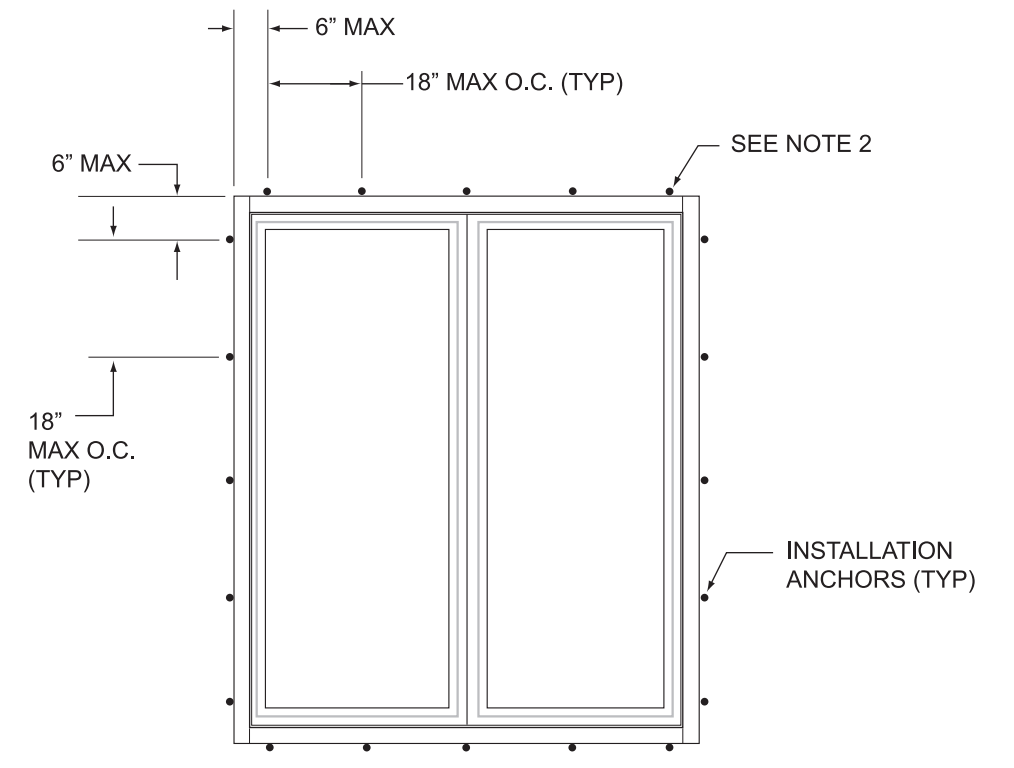


**ANCHOR LAYOUT - 5200 ISM/OSM**  
THRU NAILING FIN (ALUM. PORCH ENCLOSURE)  
(SEE SHEET 8)



**ANCHOR LAYOUT - 5200 ISM/OSM**  
THRU NAILING FIN (WOOD)  
(SEE SHEET 9)



**ANCHOR LAYOUT - (FRAME)**  
THRU FRAME (TYP)  
(SEE SHEET 10)

**NOTES:**

1. INSTALL ONE ANCHOR AT EACH LOCATION
2. INTO CONCRETE/MASONRY OR WOOD: SHIM AS REQ'D AT EACH SET OF INSTALLATION ANCHORS USING LOAD BEARING SHIMS. MAX. ALLOWABLE SHIM STACK TO BE 1/4". USE SHIMS WHERE SPACE GREATER THAN 1/16" IS PRESENT.
3. INTO ALUMINUM: SHIM AS REQ'D AT EACH SET OF INSTALLATION ANCHORS USING LOAD BEARING SHIMS. MAX. ALLOWABLE SHIM STACK TO BE 1/8". USE SHIMS WHERE SPACE GREATER THAN 1/16" IS PRESENT.
4. LOAD BEARING SHIMS SHALL BE CONSTRUCTED OF HIGH DENSITY PLASTIC OR BETTER. WOOD SHIMS ARE NOT ALLOWED
5. 3/16' DIA. ELCO TAPCON (OR EQUIV.) MASONRY ANCHORS MUST BE OF SUFFICIENT LENGTH TO ACHIEVE A MIN. EMBEDMENT OF 1 1/4" INTO MASONRY THRU FRAME OR THRU 1 BY WOOD BUCK INTO MASONRY. A MINIMUM EDGE DISTANCE OF 2 1/2' SHALL BE ACHIEVED.
6. #10 WOOD SCREW ANCHORS MUST BE OF SUFFICIENT LENGTH TO ACHIEVE A MIN. EMBEDMENT OF 1 1/2" INTO 2 BY WOOD BUCK.
7. #8 WOOD SCREW ANCHORS MUST BE OF SUFFICIENT LENGTH TO ACHIEVE A MIN. EMBEDMENT OF 1 1/2" INTO 2 BY WOOD BUCK FOR FIN INSTALLATION.
8. SEAL CORNERS WITH SMALL JOINT SEAM SEALANT.
9. ALL INSTALLATION ANCHORS MUST BE MADE OF A CORROSION RESISTANT MATERIAL OR COATING.
10. #8 X 3/4' SHEET METAL SCREW ANCHORS MUST BE USED WITH FULL THREAD ENGAGEMENT INTO ALUMINUM ENCLOSURES.
11. AN APPROVED MEMBRANE OR MATERIAL SHALL BE PLACED BETWEEN ALL DISSIMILAR METALS TO CONTROL GALVANIC CORROSION.

**PROPRIETARY AND CONFIDENTIAL**  
THE INFORMATION CONTAINED IN THIS DRAWING IS THE SOLE PROPERTY OF SUNSPACE MODULAR ENCLOSURES INC.  
ANY REPRODUCTION IN PART OR AS A WHOLE WITHOUT THE WRITTEN PERMISSION OF  
SUNSPACE MODULAR ENCLOSURES INC. IS PROHIBITED.



300 TORONTO STREET, NEWCASTLE, ONTARIO, CANADA L1B 1C2

TITLE: <b>ANCHOR SCHEDULE &amp; NOTES</b>		
SERIES: <b>ACRYLIC HORZ. SLIDERS</b>	DRAWN BY:	DATE:
MODEL:	SCALE: <b>NTS</b>	DRW. NO.:
TITLE:	REV. LETTER:	SHEET: